

# SCP-2370RH

High Resolution 37x Weatherproof IR PTZ Dome Camera

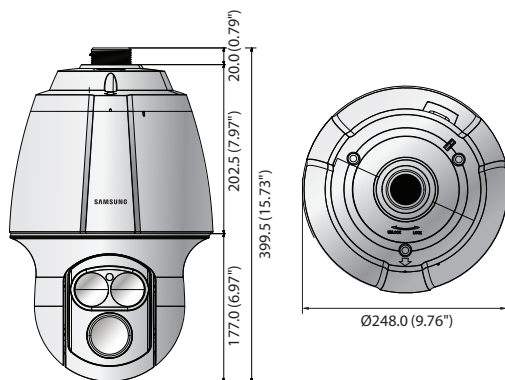


## Key Features

- High resolution of 600TV lines (Color), 700TV lines (B/W)
- Min. illumination 0Lux (IR LED on), IR distance 100m
- Powerful 37x zoom (3.5 ~ 129.5mm), Digital 16x
- True Day & Night (ICR), MD, SSNRIII
- IP66, IK10, Coax : Pelco-C (Coaxitron), RS-485/422, 24V AC

## Dimensions

Unit : mm (inch)



## Accessories (Optional)



SBP-300WM1 SBP-300WM SBP-300CM SBP-300LM SBP-300B SBP-300PM SBP-300KM

	SCP-2370RHN	SCP-2370RHP
<b>VIDEO</b>		
Imaging Device	1/4" Super HAD CCD II	
Total Pixels	811(H) x 508(V)	795(H) x 596(V)
Effective Pixels	768(H) x 494(V)	752(H) x 582(V)
Scanning System	2 : 1 Interlace	
Synchronization	Internal / Line lock	
Frequency	H : 15.734KHz / V : 59.94Hz	H : 15.625KHz / V : 50Hz
Horizontal Resolution	Color : 600TV lines, B/W : 700TV lines	
Min. Illumination	Color : 0.2Lux@F1.6 (50IRE), 0.0004Lux (Sens-up, 512x) B/W : 0Lux (IR LED on)	
S / N Ratio	52dB (AGC off, Weight on)	
Video Output	CVBS : 1.0Vpp / 75Ω composite	
<b>LENS</b>		
Focal Length (Zoom Ratio)	3.5 ~ 129.5mm (Optical 37x)	
Max. Aperture Ratio	1 : 1.6(Wide) ~ 3.9(Tele)	
Angular Field of View	H : 55.5°(Wide) ~ 1.59°(Tele) / V : 42.5°(Wide) ~ 1.19°(Tele)	
Min. Object Distance	1.5m (4.92ft)	
Focus Control	Auto / Manual / One shot	
Zoom Movement Speed	2.8sec (Wide to tele)	
<b>PAN / TILT</b>		
Pan Range	360° Endless	
Pan Speed	Preset : 250°/sec, Manual : 0.024°/sec ~ 120°/sec (Proportional zoom ratio)	
Tilt Range	-5° ~ 185°	
Tilt Speed	Preset : 250°/sec, Manual : 0.024°/sec ~ 120°/sec (Proportional zoom ratio)	
Preset	255	
Preset Accuracy	±0.1°	
<b>OPERATIONAL</b>		
On Screen Display	English, Japanese, Spanish, French, Portuguese, Taiwanese, Korean	English, French, German, Spanish, Italian, Chinese, Russian, Polish, Czech, Turkish, Portuguese
Camera Title	Off / On (Displayed 12 characters)	
Day & Night	Auto (ICR) / External / Color / B/W	
Backlight Compensation	Off / BLC / HLC	
Contrast Enhancement	SSDR (Off / On)	
Digital Noise Reduction	SSNRIII (Off / On)	
Digital Image Stabilization	Off / On	
Motion Detection	Off / On	
Privacy Masking	Off / On (8 programmable zones)	
Sens-up (Frame Integration)	2x ~ 512x	
Gain Control	Off / Low / High	
White Balance	ATW / Outdoor / Indoor / Manual / AWC (1,700°K ~ 11,000°K)	
Electronic Shutter Speed	1/60 ~ 1/120,000sec	1/50 ~ 1/120,000sec
Digital Zoom	Off / On (1x ~ 16x)	
Digital Flip	Off / On	
Schedule	Day / Time	
Alarm	8 In 3 Out	
Communication	Coaxial control (SPC-300 compatible), RS-485/422	
Protocol	Coax : Pelco-C (Coaxitron) RS-485/422 : Samsung-T/E, Pelco-D/P, Panasonic, Bosch, Honeywell, Vicon, AD, GE	
IR Distance	100m (328.08ft) (IR LED 2ea)	
<b>ENVIRONMENTAL</b>		
Operating Temperature / Humidity	-50°C ~ +55°C (-58°F ~ +131°F) / Less than 100% RH	
Ingress Protection	IP66	
Vandal Resistance	IK10	
<b>ELECTRICAL</b>		
Input Voltage / Current	24V AC ±10%	
Power Consumption	Max. 15W / 90W (Fan & heater on)	
<b>MECHANICAL</b>		
Color / Material	Ivory / Aluminum	
Dimensions (WxH)	Ø248.0 x 399.5mm (Ø9.76" x 15.73")	
Weight	6Kg (13.23 lb)	

\* The latest product information / sepecification can be found at <http://security.hanwhatechwin.com>