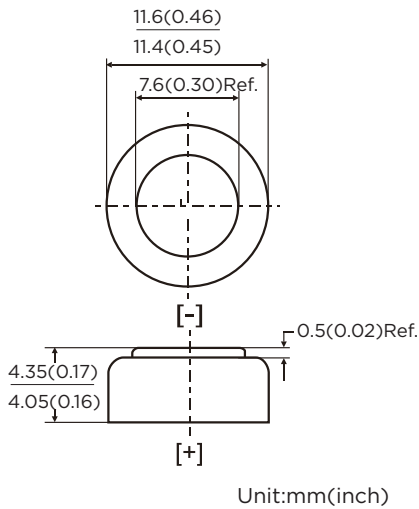


# LR43(AG12)

# ZERO MERCURY **Alkaline Button Cell**



## Dimensions



## Specifications

Chemical System:	Alkaline(Zn/MnO <sub>2</sub> ) (Zinc-Manganese Dioxide)
IEC Name:	LR43
Westinghouse Model:	LR43
Average Weight:	1.6g
Dimension(ΦxH)	11.5 x 4.2mm 0.45x 0.16 inch
Terminals:	Flat
Nominal Voltage:	1.5Volts
Capacity:	113mAh (Rated at 5kohm to 0.9V)
Operating Temperature:	-18°C -55°C
Storage Temperature:	15°C -25°C
Relative Humidity:	60±15%

## Usage Guide



Watch



Calliper



Calculator

## Typical Discharge Testing

Typical characteristics at 21°C

