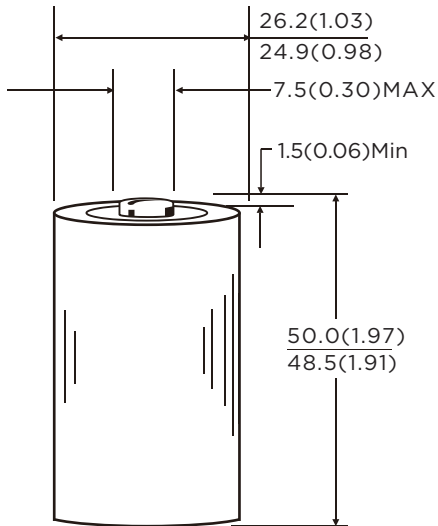


R14P(14D)



Dimensions



Unit:mm(inch)

Super Heavy Duty Battery

Specifications

Chemical System:	Zinc-Manganese Dioxide (Zinc Chloride Electrolyte)
IEC Name:	R14P
ANSI/NEDA:	14D(C)
Westinghouse Model:	R14P
Average Weight:	42g
Dimension(Φ xH)	25.55 \pm 0.65x 49.25 \pm 0.75 mm 1.0 \pm 0.02 x 1.94 \pm 0.02 inch
Terminals:	Flat
Nominal Voltage:	1.5Volts
Capacity:	3800mAh (Rated at 25mA to 0.8V)
Operating Temperature:	-18 $^{\circ}$ C -55 $^{\circ}$ C
Storage Temperature:	15 $^{\circ}$ C -25 $^{\circ}$ C
Relative Humidity:	60 \pm 15%
Jacket :	Aluminum Foil Label

Usage Guide



Flashlight



Clock



Radio

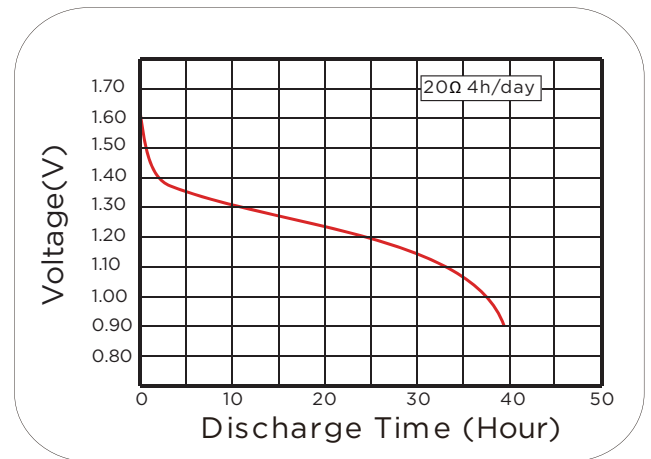
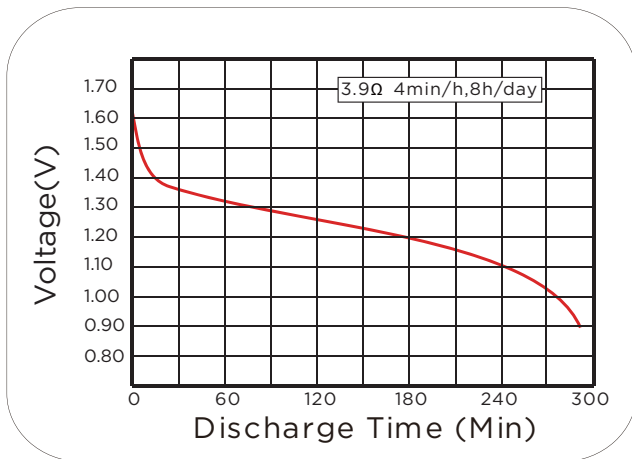
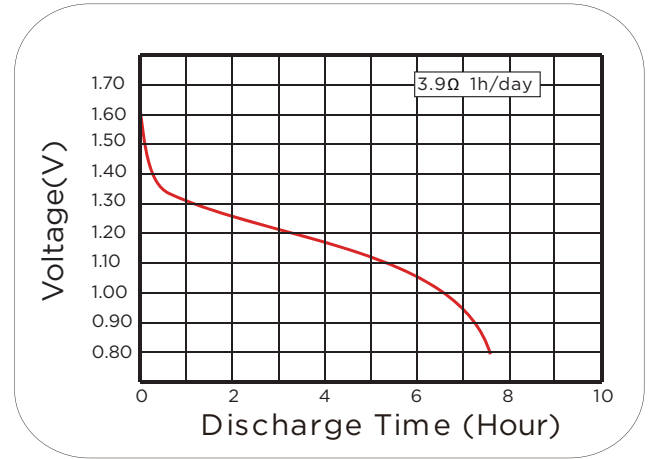
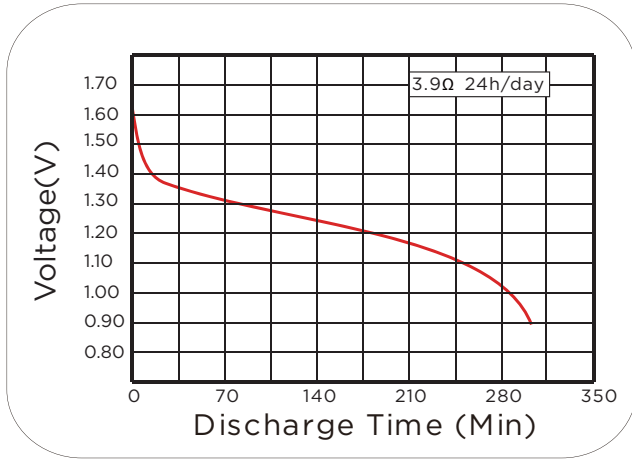
Cautions

Storage


Store the battery in a cool, dry and well-ventilated area.

Handling

- 1) Never charge the battery. Do not heat or disposed in fire or water. Do not modify or disassemble the battery. Do not short-circuit positive (+) and negative (-) terminals. Keep away from metal or other conductive materials.
- 2) Keep away from infants. If infant happens to swallow the battery, consult a doctor immediately.
- 3) When the battery is stored or disposed, isolate positive (+) and negative (-) terminals of the battery to avoid those terminals touch each other.
- 4) In case the battery electrolyte happen to come into mouth,gargle well enough and consult a doctor immediately.

R14P(14D)
Super Heavy Duty Battery
ANSI/IEC Standard Testing
Typical characteristics 21°C

Notice:

Environmental elements comply with 2006/66/EC and US LAW 104-142 requirements. This data sheet is typical information specific to products manufactured at the time of its publication. For the latest information, contact us at: info@westinghousebattery.com.

 and WESTINGHOUSE are trademarks of Westinghouse Electric Corporation. Used under license by Camellion Battery, Ltd. All Rights Reserved.