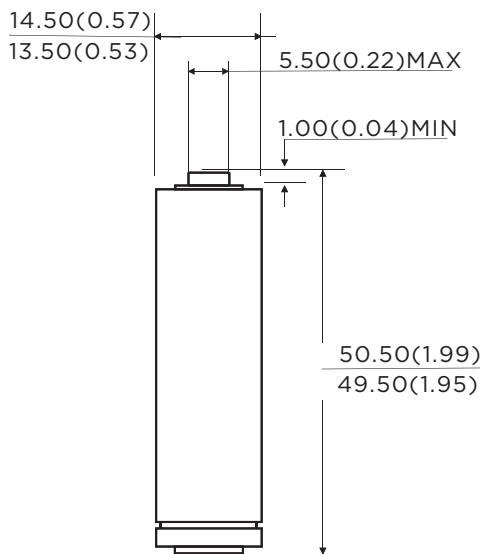


## LR6(15A)

## Alkaline Battery



### Dimensions



Unit:mm(inch)

### Specifications

Chemical System:	Alkaline (Zn/MnO <sub>2</sub> ) Zinc-Manganese Dioxide
IEC Name:	LR6
ANSI/NEDA:	15A(AA)
Westinghouse Model:	LR6
Average Weight:	23.5g
Dimension( Ø x H ):	14.0 <sup>±0.5</sup> x 50.0 <sup>±0.5</sup> mm 0.56 <sup>±0.02</sup> x 1.97 <sup>±0.02</sup> inch
Terminals:	Flat
Nominal Voltage:	1.5Volts
Capacity:	2700mAh (Rated at 25mA to 0.8V)
Operating Temperature:	-18°C-55°C
Storage Temperature:	15°C-25°C
Relative Humidity:	60±15%
Jacket :	Aluminum Foil Label
Available period:	10 years(Temperature: 20±2°C, Relative Humidity: 60%±15%)

### Usage Guide

### Cautions



Electronic games



Toy



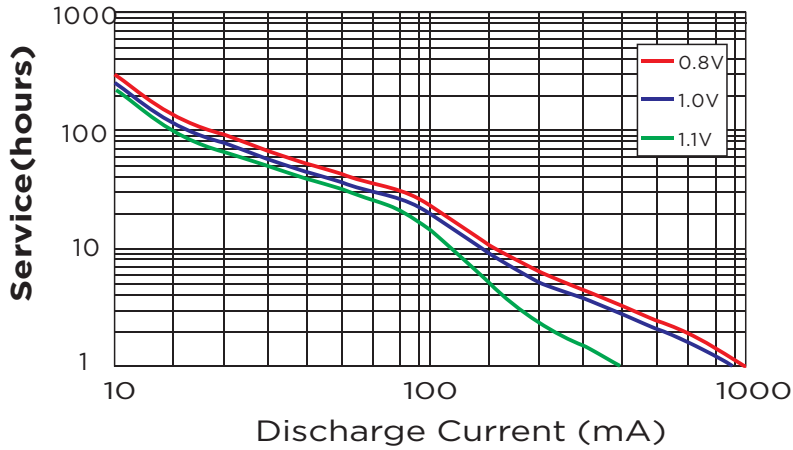
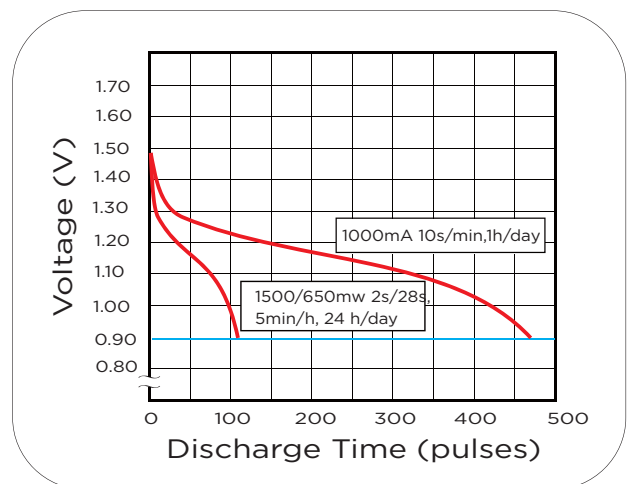
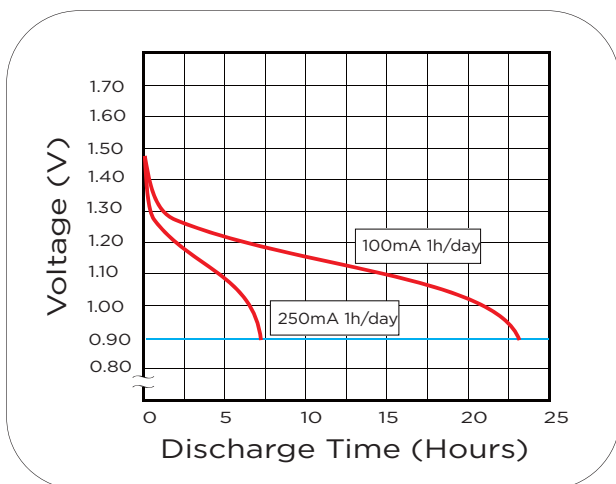
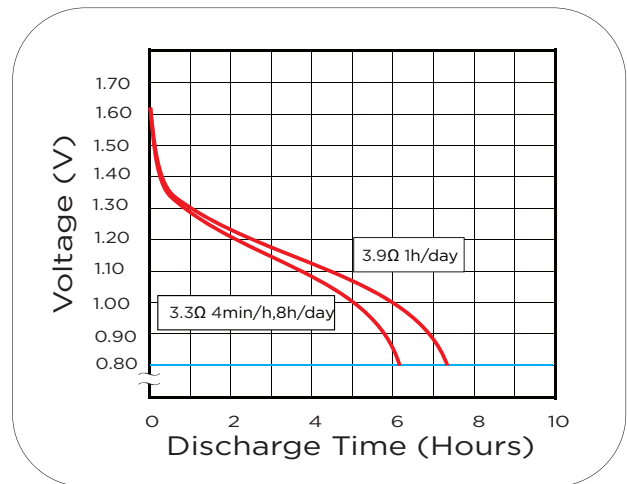
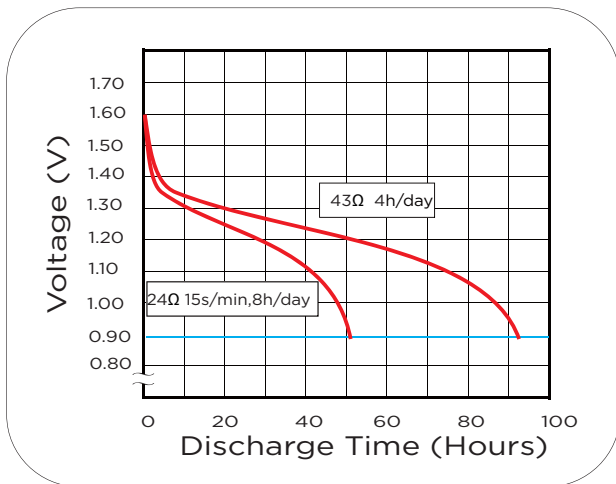
Digital Still Camera

#### Storage

Store the battery in a cool, dry and well-ventilated area.

#### Handling

- 1) Never charge the battery. Do not heat or disposed in fire or water. Do not modify or disassemble the battery. Do not short-circuit positive (+) and negative (-) terminals. Keep away from metal or other conductive materials.
- 2) Keep away from infants. If infant happens to swallow the battery, consult a doctor immediately.
- 3) When the battery is stored or disposed, isolate positive (+) and negative (-) terminals of the battery to avoid those terminals touch each other.
- 4) In case the battery electrolyte happen to come into mouth,gargle well enough and consult a doctor immediately.

**LR6(15A)**
**Alkaline Battery**
**Constant Current Discharge**
**Typical Characteristics at 21°C**

**ANSI/IEC Standard Testing**
**Typical Characteristics 21°C**

**Notice:**

Environmental elements comply with 2006/66/EC and US LAW 104-142 requirements. This data sheet is typical information specific to products manufactured at the time of its publication. For the latest information, contact us at: [info@westinghousebattery.com](mailto:info@westinghousebattery.com).

 and WESTINGHOUSE are trademarks of Westinghouse Electric Corporation. Used under license by Camellion Battery, Ltd. All Rights Reserved.