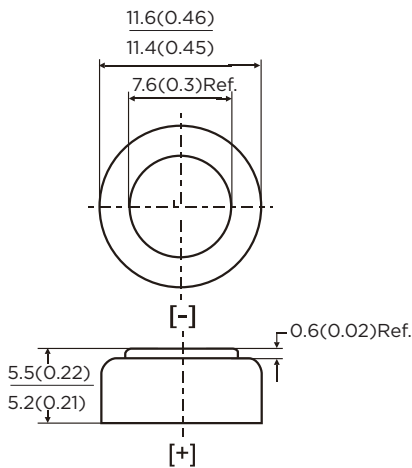


LR44(AG13)

ZERO MERCURY Alkaline Button Cell



Dimensions



Unit:mm(inch)

Specifications

Chemical System:	Alkaline(Zn/MnO ₂) (Zinc-Manganese Dioxide)
IEC Name:	LR44
ANSI/NEDA:	1166A
Westinghouse Model:	LR44
Average Weight:	2.0g
Dimension(ΦxH)	11.6 x 5.4mm 0.46 x 0.21 inch
Terminals:	Flat
Nominal Voltage:	1.5Volts
Capacity:	158mAh (Rated at 5kohm to 0.9V)
Operating Temperature:	-18°C -55°C
Storage Temperature:	15°C -25°C
Relative Humidity:	60±15%

Usage Guide



Watch



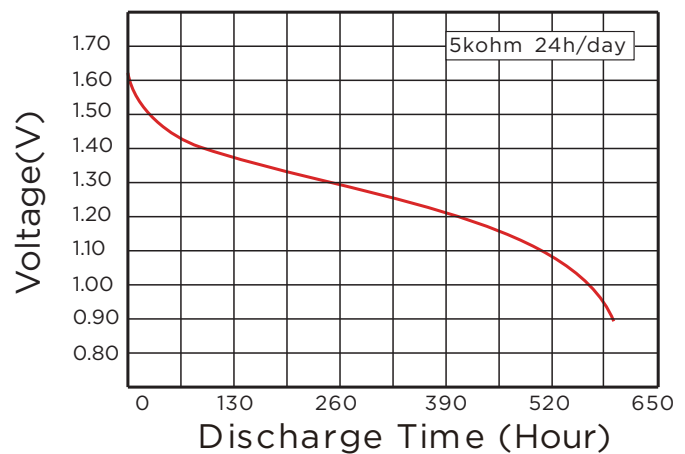
Calliper



Calculator

Typical Discharge Testing

Typical characteristics at 21°C



Notice:

Environmental elements comply with 2006/66/EC and US LAW 104-142 requirements. This data sheet is typical information specific to products manufactured at the time of its publication. Contact Camelion Battery Co., Ltd. for the latest information.

TM Westinghouse Electric Corporation. All Rights Reserved.