

A675(PR44)

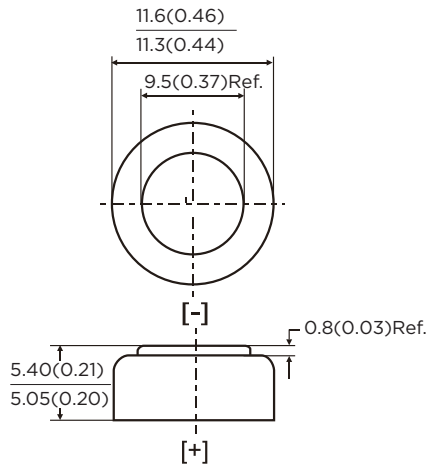
ZERO MERCURY

Zinc Air



(top view) (bottom view)

Dimensions

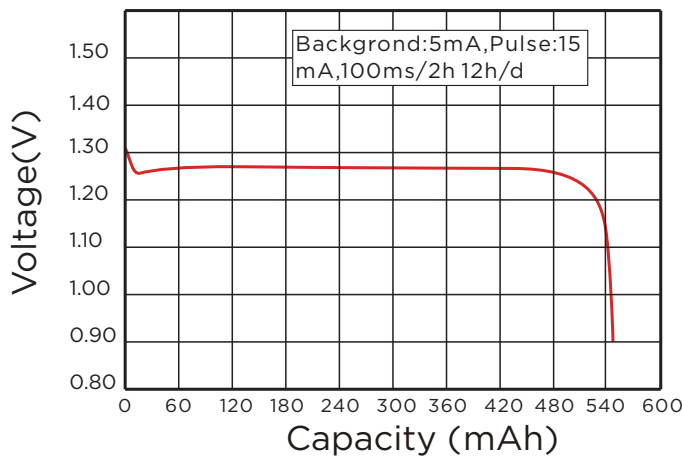


Unit:mm(inch)

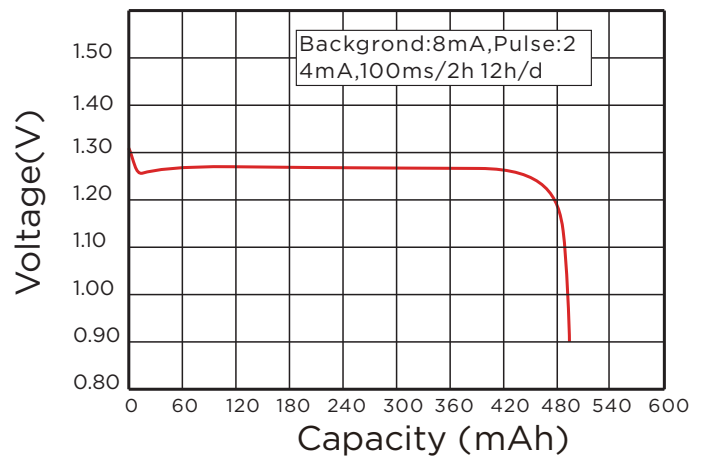
Specifications

Chemical System:	Zinc Air (Zinc-Oxygen)
IEC Name:	PR44
ANSI/NEDA:	7003ZD
Westinghouse Model:	A675
Average Weight:	1.62g
Dimension(ΦxH):	11.6 x 5.4mm 0.46 x 0.21 inch
Terminals:	Flat
Nominal Voltage:	1.45Volts
Capacity:	560mAh (Background:5mA,Pulse:15mA,100ms/2h,12h/d to 1.05V)
Operating Temperature:	0°C -50°C
Storage Temperature:	15°C -25°C
Relative Humidity:	60±15%

Typical Discharge Testing Typical characteristics at 25 °C



Typical Discharge Testing Typical characteristics at 25 °C



Notice:
Environmental elements comply with 2006/66/EC and US LAW 104-142 requirements. This data sheet is typical information specific to products manufactured at the time of its publication. For the latest information, contact us at: info@westinghousebattery.com.

 and WESTINGHOUSE are trademarks of Westinghouse Electric Corporation. Used under license by Camelion Battery, Ltd. All Rights Reserved.